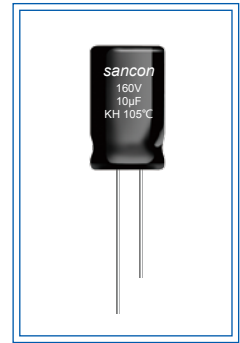


KH (CD264)

- 高电压品，最高电压 500V，105°C 3000 小时。High rated voltage, up to 500V, 105°C 3000 hrs.
- 高稳定品，专业性用途。High-reliability and professional applications.
- 最适用于照明，监控器及一般工业用。Lighting, monitors, general industrial.
- 电源中高电压品的滤波。Filtering of high voltages in power supplies.

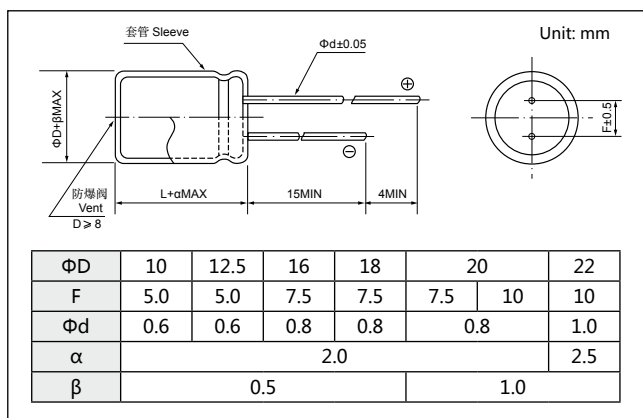


Miniature Mount

主要技术性能 Specifications

项目 Item	特性 Performance Characteristics																									
工作温度范围 Operating Temperature Range	-40~+105°C	-25~+105°C																								
额定电压范围 Rated Voltage Range	160~250V	350~500V																								
标称电容量范围 Nominal Capacitance Range	1~220μF																									
标称电容量允许偏差 Capacitance Tolerance	±20%(+20°C, 120Hz)																									
漏电流 Leakage Current	after 1 minutes at 20°C application of rated voltage, leakage current is not more than : CV ≤ 1000: I ≤ 0.06CV+40 ; CV > 1000: I ≤ 0.03CV+70 (1分钟, 20°C)																									
损耗角正切值 (tgδ) Dissipation Factor (+20°C, 120Hz)	<table border="1"> <tr> <td>U_R(V)</td> <td>160</td> <td>200</td> <td>250</td> <td>350</td> <td>400</td> <td>450</td> <td>500</td> </tr> <tr> <td>tgδ</td> <td colspan="2">0.12</td> <td colspan="2">0.15</td> <td colspan="3">0.20</td> </tr> </table>		U _R (V)	160	200	250	350	400	450	500	tgδ	0.12		0.15		0.20										
U _R (V)	160	200	250	350	400	450	500																			
tgδ	0.12		0.15		0.20																					
温度特性 Temperature Characteristics (Impedance ratio at 120Hz)	<table border="1"> <tr> <td>U_R(V)</td> <td>160</td> <td>200</td> <td>250</td> <td>350</td> <td>400</td> <td>450</td> <td>500</td> </tr> <tr> <td>Z-25°C / +20°C</td> <td colspan="2">3</td> <td colspan="2">6</td> <td colspan="3">8</td> </tr> <tr> <td>Z-40°C / +20°C</td> <td colspan="2">4</td> <td colspan="5">-</td> </tr> </table>		U _R (V)	160	200	250	350	400	450	500	Z-25°C / +20°C	3		6		8			Z-40°C / +20°C	4		-				
U _R (V)	160	200	250	350	400	450	500																			
Z-25°C / +20°C	3		6		8																					
Z-40°C / +20°C	4		-																							
耐久性 Load Life	+105°C施加带额定纹波电流的额定电压 3000 小时，恢复 24 小时后： After applying rated voltage with specified ripple current for 3000 hours at +105°C and then resumed 24 hours: 电容量变化率 Capacitance change : ±20% 初始测量值以内 ±20% of the initial measured value 漏 电 流 Leakage current : ≤ 初始规定值 ≤ the initial specified value 损耗角正切值 Dissipation factor : ≤ 3 倍初始规定值 ≤ 300% of the initial specified value																									
高温贮存 Shelf Life	+105°C，1000 小时贮存后，加额定工作电压处理 30 分钟，恢复 24 小时后： After storage for 1000 hours at +105°C, U _R to be applied for 30 minutes and then resumed 24 hours : 电容量变化率 Capacitance change : ±20% 初始测量值以内 ±20% of the initial measured value 漏 电 流 Leakage current : ≤ 初始规定值 ≤ the initial specified value 损耗角正切值 Dissipation factor : ≤ 2 倍初始规定值 ≤ 200% of the initial specified value																									

外形图及尺寸 Diagram of Dimensions



纹波电流修正系数 Multiplier for Ripple Current

Frequency (Hz)	50(60)	120	300	1k	≥ 10K
Coefficient	0.75	1.00	1.20	1.35	1.50

Temperature (°C)	+70	+85	+105
Coefficient	1.80	1.40	1.00

额定值标准 Standard Size

U _R (Surge Voltage) Code(V)	Capacitance (μF)	Size ΦD×L (mm)	Rated ripple current 105°C, 120Hz (mA _{RMS})	Max ESR 20°C 120Hz (Ω)	Typ ESR 20°C 120Hz (Ω)
160 (200) 2C	10	10×16	95	15.9	5.3
	22	10×20	145	7.2	2.4
	33	12.5×20	190	4.8	1.6
	47	12.5×25	280	3.4	1.1
	47	16×20	280	3.4	1.1
	100	16×25	380	1.6	0.5
	100	18×20	380	1.6	0.5
	220	18×36	630	0.7	0.2
200 (250) 2D	4.7	10×12.5	60	33.9	11.2
	10	10×16	95	15.9	5.3
	22	10×20	145	7.2	2.4
	33	12.5×20	190	4.8	1.6
	47	12.5×25	280	3.4	1.1
	47	16×20	280	3.4	1.1
	100	16×31.5	410	1.6	0.5
	100	18×25	410	1.6	0.5
250 (300) 2E	4.7	10×12.5	60	33.9	11.2
	10	10×20	105	15.9	5.3
	22	12.5×25	180	7.2	2.4
	22	16×20	180	7.2	2.4
	33	12.5×25	250	4.8	1.6
	33	16×20	250	4.8	1.6
	47	16×25	300	3.4	1.1
	47	18×20	300	3.4	1.1
	100	16×31.5	410	1.6	0.5
	100	18×25	410	1.6	0.5
350 (400) 2V	3.3	10×12.5	50	60.3	19.9
	4.7	10×16	65	42.3	14.0
	10	12.5×20	120	19.9	6.6
	22	12.5×25	180	9.0	3.0
	22	16×20	180	9.0	3.0
	33	16×25	210	6.0	2.0
	47	16×35.5	300	4.2	1.4
	47	18×31.5	300	4.2	1.4

U _R (Surge Voltage) Code(V)	Capacitance (μF)	Size ΦD×L (mm)	Rated ripple current 105°C, 120Hz (mA _{RMS})	Max ESR 20°C, 120Hz (Ω)	Typ ESR 20°C, 120Hz (Ω)
400 (450) 2G	2.2	10×12.5	40	90.5	29.9
	3.3	10×16	50	60.3	19.9
	4.7	10×20	70	42.3	14.0
	10	12.5×20	120	19.9	6.6
	22	16×25	200	9.0	3.0
	22	18×20	200	9.0	3.0
	33	16×31.5	245	6.0	2.0
	33	18×25	245	6.0	2.0
	47	18×31.5	300	4.2	1.4
	450 (500) 2W	1	10×12.5	30	265.4
2.2		10×16	45	120.6	39.8
3.3		10×20	65	80.4	26.5
4.7		12.5×20	80	56.5	18.6
10		12.5×25	140	26.5	8.8
22		16×25	220	12.1	4.0
33		16×31.5	280	8.0	2.7
47		16×31.5	420	5.6	1.9
68		16×35.5	520	3.9	1.3
82		18×31.5	580	3.2	1.1
100		18×36	750	2.7	0.9
120		18×40	800	2.2	0.7
150		20×41	860	1.8	0.6
180		22×41	920	1.5	0.5
500 (550) 2H	1	10×12.5	32	265.4	106.2
	2.2	10×16	49	120.6	48.3
	3.3	10×20	68	80.4	32.2
	4.7	12.5×20	84	56.5	22.6
	10	12.5×25	145	26.5	10.6
	22	16×25	230	12.1	4.8
	33	16×31.5	295	8.0	3.2
	47	18×31.5	415	5.6	2.3
	68	18×36	530	3.9	1.6
	82	18×40	590	3.2	1.3
	100	20×41	750	2.7	1.1
	120	22×41	810	2.2	0.9
	150	22×45	930	1.8	0.7

Miniature Mount

可根据客户需要定制产品 Customer products are available on request.