

HC 超长寿命, 耐高温性能优异 (CD26GC)

- 保证寿命: 130°C 5000 小时, 105°C 20000 小时。Ensure life: 130°C 5000 hrs, 105°C 20000 hrs.
- 超长寿命, 耐高温性能优异。Extremely long life, high temperature.
- 专为高端 LED 照明、电子镇流器、电子节能灯设计。
Especially designed for LED lighting, electronic ballast, electronic energy saving lamps.
- 符合 RoHS。RoHS Compliant.

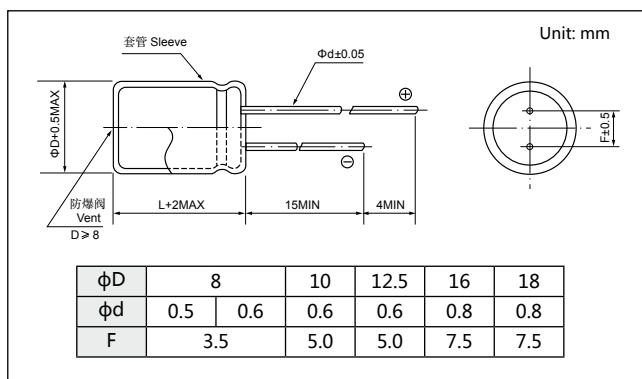


主要技术性能 Specifications

项目 Item	特性 Performance Characteristics							
工作温度范围 Operating Temperature Range	-40~+130°C (160~400V) -25~+130°C (450V)							
额定电压范围 Rated Voltage Range	160~450V							
标称容量范围 Nominal Capacitance Range	1~220µF							
标称容量允许偏差 Capacitance Tolerance	±20%(+20°C, 120Hz)							
漏电流 Leakage Current	160~400V	450V					I: 漏电流 Leakage current (µA) C: 静电容量 Nominal capacitance (µF) V: 额定电压 Rated Voltage (V) (20°C, 2 分钟 minutes)	
	$I \leq 0.02CV + 10\mu A$	$I \leq 0.03CV + 10\mu A$						
损耗角正切值 (tgδ) Dissipation Factor (+20°C, 120Hz)	$U_R(V)$	160	200	250	350	400	450	
	tgδ	0.15	0.15	0.15	0.20	0.20	0.20	
温度特性 Temperature Characteristics (Impedance ratio at 120Hz)	$U_R(V)$	160	200	250	350	400	450	
	Z-25°C / +20°C	3	3	3	5	5	6	
	Z-40°C / +20°C	6	6	6	6	6	-	
耐久性 Load Life	在 130°C 环境中, 连续加载直流电压与额定纹波电流 (所加电压峰值不超过额定工作电压) 5,000 小时后, 或者在 105°C 环境中, 连续加载额定直流电压 20,000 小时后, 待温度恢复到 20°C 进行测量时, 应满足以下要求: After application of the rated DC voltage with rated ripple current at 130°C for the specified period of time or application of DC voltage with rate ripple current (the voltage peak is not more than rated voltage) at 105°C for the specified period of time, measuring the parameters when the capacitors are restored to 20°C, the capacitors shall meet the requirements as below: 电容量变化率 Capacitance change: ±30% 初始测量值以内 ±30% of the initial measured value 损耗角正切值 Dissipation factor: ≤ 3 倍初始规定值 300% of the initial specified value 漏电流 Leakage current: ≤ 初始规定值 the initial specified value							
高温贮存 Shelf Life	在 105°C 环境中, 无负荷放置 1000 小时后, 待温度恢复到 20°C 进行测量时, 应满足以下要求: The following specifications shall be satisfied when the capacitors are restored to 20°C after exposing them for 1,000 hours at 105°C without voltage application. 电容量变化率 Capacitance change: ±20% 初始测量值以内 ±20% of the initial measured value 损耗角正切值 Dissipation factor: ≤ 2 倍初始规定值 200% of the initial specified value 漏电流 Leakage current: ≤ 2 倍初始规定值 200% of the initial specified value							

High Stability

外形图及尺寸 Diagram of Dimensions



纹波电流修正系数 Multiplier for Ripple Current

频率系数 Frequency coefficient

Frequency(Hz)	120	1K	10K	100K
Coefficient	160-450	0.50	0.80	0.90

额定值标准 Standard Size

Rated Voltage (V _{dc})	Capacitance (μF)	Size ΦD×L (mm)	tanδ	Rated ripple current (mArms) 105°C /100KHz	Rated Voltage (V _{dc})	Capacitance (μF)	Size ΦD×L (mm)	tanδ	Rated ripple current (mArms) 105°C /100KHz	
160V (2C)	3.3	8x12	0.15	70	350V (2V)	1	8x12	0.2	49	
	4.7	8x12	0.15	77		1.5	8x16	0.2	73	
	5.6	8x16	0.15	82		1.8	8x16	0.2	75	
	6.8	8x16	0.15	88		2.2	10x16	0.2	90	
	8.2	10x16	0.15	183		2.8	10x16	0.2	95	
	10	10x16	0.15	223		3.3	10x16	0.2	100	
	15	10x16	0.15	300		4.7	10x20	0.2	142	
	22	10x20	0.15	400		5.6	10x20	0.2	152	
	33	12.5x20	0.15	480			12.5x20	0.2	165	
	47	12.5x25	0.15	590		6.8	10x20	0.2	190	
	68	16x25	0.15	750			12.5x20	0.2	200	
	82	16x25	0.15	825		8.2	12.5x20	0.2	205	
	100	16x25	0.15	960		10	12.5x20	0.2	250	
			0.15	960			12.5x25	0.2	270	
	150	18x30	0.15	1050		15	12.5x25	0.2	335	
220	18x35	0.15	1500	16x20	0.2		335			
200V (2D)	2.8	8x12	0.15	64	22	16x25	0.2	450		
	3.3	8x12	0.15	73	33	16x30	0.2	535		
	4.7	8x16	0.15	126		16x35	0.2	555		
		10x12	0.15	126	18x30	0.2	700			
	5.6	8x16	0.15	148	47	18x35	0.2	750		
	6.8	8x16	0.15	160		18x40	0.2	900		
		10x16	0.15	200	1	8x12	0.2	54		
	8.2	10x16	0.15	203		8x16	0.2	60		
	10	10x16	0.15	230	1.5	8x16	0.2	73		
		10x20	0.15	245	1.8	8x16	0.2	75		
	15	10x20	0.15	327	2.2	10x16	0.2	92		
	22	12.5x20	0.15	430	2.8	10x16	0.2	100		
	33	12.5x20	0.15	500	3.3	10x16	0.2	105		
	47	12.5x25	0.15	650		10x20	0.2	120		
		16x20	0.15	650	4.7	10x20	0.2	142		
68	16x25	0.15	750	12.5x20		0.2	150			
82	16x30	0.15	900	5.6	12.5x20	0.2	165			
	18x25	0.15	900	6.8	12.5x20	0.2	225			
100	16x30	0.15	1100	8.2	12.5x20	0.2	230			
	18x25	0.15	1100	10	12.5x25	0.2	280			
150	18x35	0.15	1350	15	12.5x25	0.2	335			
250V (2E)	2.2	8x12	0.15		64	16x20	0.2	335		
	2.8	8x12	0.15	72	22	16x25	0.2	480		
	3.3	8x12	0.15	80		16x30	0.2	500		
	4.7	8x16	0.15	133	33	18x30	0.2	635		
	5.6	10x16	0.15	150	47	18x35	0.2	750		
	6.8	10x16	0.15	169	68	18x40	0.2	900		
	8.2	10x16	0.15	203	100	18x50	0.2	1030		
	10	10x16	0.15	238	400V (2G)	1.5	8x16	0.2	70	
		10x20	0.15	250		1.8	8x16	0.2	74	
	15	10x20	0.15	327		2.2	10x16	0.2	77	
	22	12.5x20	0.15	430		2.8	10x16	0.2	80	
	33	12.5x25	0.15	530		3.3	10x16	0.2	88	
		16x20	0.15	530			10x20	0.2	92	
	47	16x25	0.15	690		4.7	10x20	0.2	104	
		18x20	0.15	690		5.6	12.5x20	0.2	144	
68	16x30	0.15	780	6.8		12.5x20	0.2	175		
	18x25	0.15	780	8.2		12.5x20	0.2	183		
82	18x25	0.15	900	10		12.5x20	0.2	225		
100	18x30	0.15	970	15		12.5x25	0.2	294		
350V (2V)	1	8x12	0.2	54		450V (2W)	2.2	10x16	0.2	77
	1.5	8x16	0.2	60			2.8	10x16	0.2	80
	1.8	8x16	0.2	73			3.3	10x16	0.2	88
	2.2	10x16	0.2	92	10x20			0.2	92	
	2.8	10x16	0.2	100	4.7		10x20	0.2	104	
	3.3	10x16	0.2	105	5.6		12.5x20	0.2	144	
	4.7	10x20	0.2	120	6.8		12.5x20	0.2	175	
	5.6	10x20	0.2	142	8.2		12.5x20	0.2	183	
		12.5x20	0.2	150	10		12.5x20	0.2	225	
	6.8	12.5x20	0.2	165	15		12.5x25	0.2	294	
	8.2	12.5x20	0.2	205	22		16x25	0.2	395	
		12.5x25	0.2	250			16x30	0.2	420	
	10	12.5x25	0.2	270	33		18x30	0.2	500	
	15	12.5x25	0.2	335	47		18x35	0.2	615	
		16x20	0.2	335	68		18x40	0.2	710	
22	16x25	0.2	450	100	18x50	0.2	840			
33	16x30	0.2	535							
47	18x30	0.2	700							
68	18x40	0.2	900							

High Stability

可根据客户需要定制产品 Customer products are available on request.